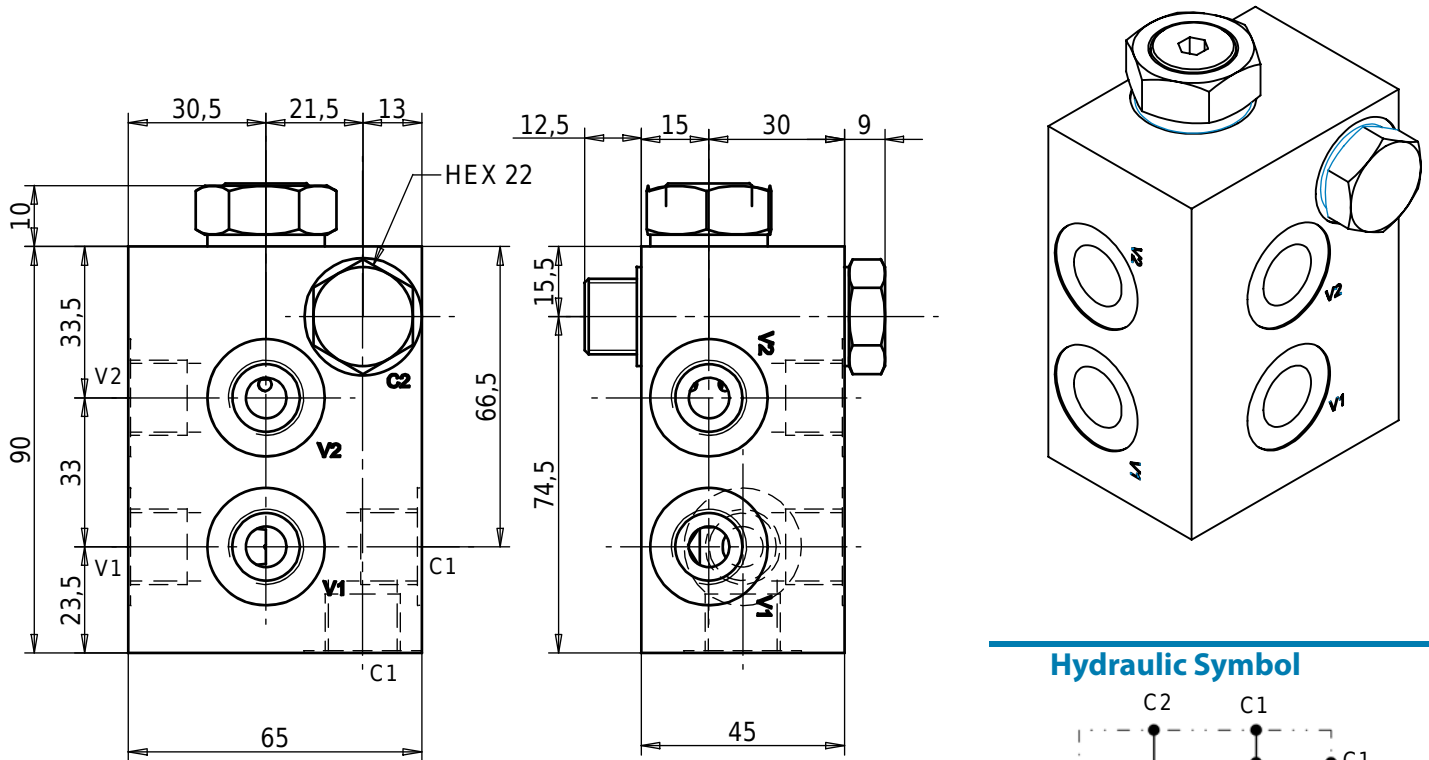
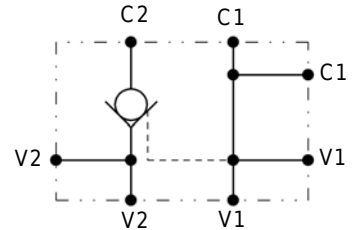


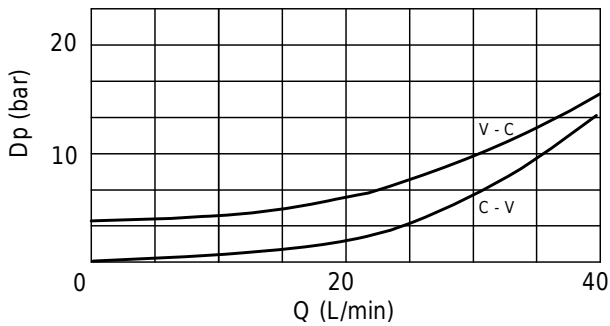
Dimensions



Hydraulic Symbol



Curves



Features

Max Pressure (bar)	350
Max Flow (lpm)	40
Pilot Ratio	3,4:1
Cracking Pressure (bar)	4
Ports	3/8 bsp

Materials: Zinc plated steel cartridge, hardened steel inner parts.
Aluminium manifold.

Ordering Code

LVPCF